

Universal SpaceWire FPGA Board



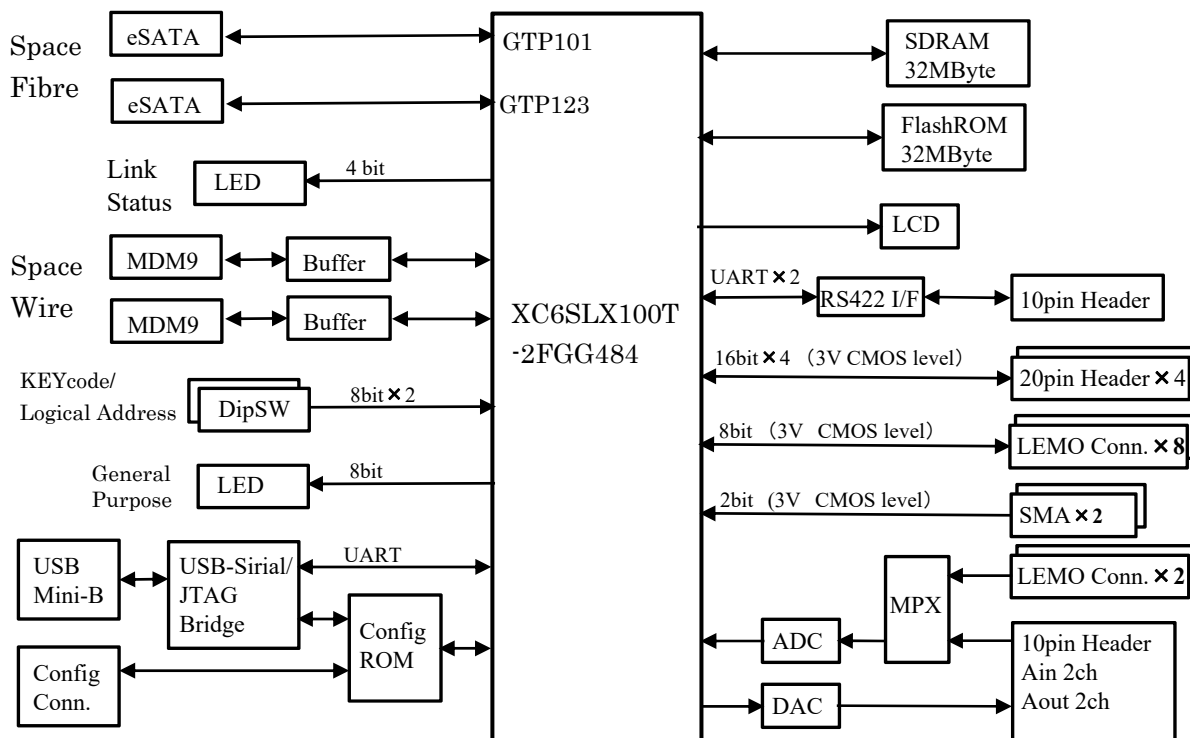
- Multi purpose SpaceWire Board
- SpaceWire, SpaceFiber, DAC, ADC, GPIO, Data Memory
- FPGA_IP: SpaceWire, SpaceFiber, SpaceWire-SpaceFiber Bridge, RMAP implementing AHB, Memory & I/O Control

<Specification>



SpaceWire	2ch, 200MbpsMAX
SpaceFiber	2ch, 2Gbps
FPGA	XC6SLX100T-2FGG484
DATA Memory	SDRAM: 32MByte, Flash ROM: 32MByte
I/O	AIN: 10bit, 20MSPS, 4ch AOUT: 10bit, 2ch GPIO: 68bit (2bit Input only) UART: 3ch (USB-UART: 1ch, RS422: 2ch) LCD: 16 × 2 character display LED: SpaceWire/SpaceFiber Link Status × 4 General Purpose × 8
Size	100mmx160mm
Power	+5V

<Block Diagram>



SHIMAFUJI Electric Inc. KC Bldg. 8-1-15, Nishikamata, Ota-ku, Tokyo, 144-0051, Japan

TEL: 03-3733-8308 FAX: 03-3733-8318 E-mail: info@shimafuji.co.jp URL: http://www.shimafuji.co.jp/

◆The contents of this material might change without notification .

SP2712002